



# WanXiang Solar

## SOLAR MODULES

# WXS190S



### Specifications

Cell Type	Mono-Silicon solar Cells
Cell Size	125mmX125mm
No. of cells and connections	78(6X13)
Dimension of module(mm)	1705×798×45mm
Weight	16.5Kg

### Electrical Characteristics

Model	WXS190S
Maximum power at STC(Pm)	190W
Open-circuit voltage(Voc)	47.74V
Short-circuit current(Isc)	5.24A
Voltage at Pmax(Vmp)	39.78V
Current at Pmax(Imp)	3.98A

(STC:Irradiance AM1.5, 1000W/m2, 25°C)

### Limits

Fuse rating	15A
Maximum system voltage	1000VDC
Operating temperature	-40~+85°C

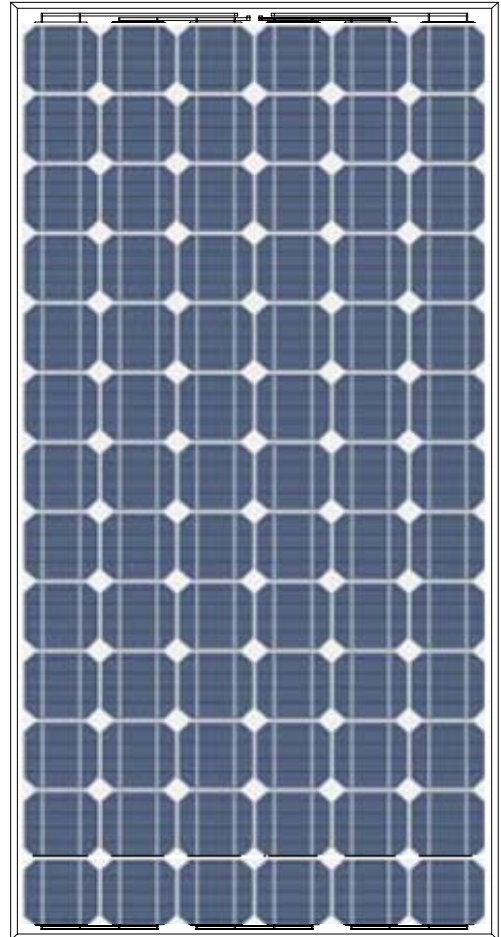
### Temperature and Coefficients

NOCT	48°C±2°C
Temp coefficient of Voc	-(175±10)mV/°C
Temp coefficient of Isc	(0.065±0.015)%/°C
Temp coefficient of power	-(0.5±0.05)%/°C

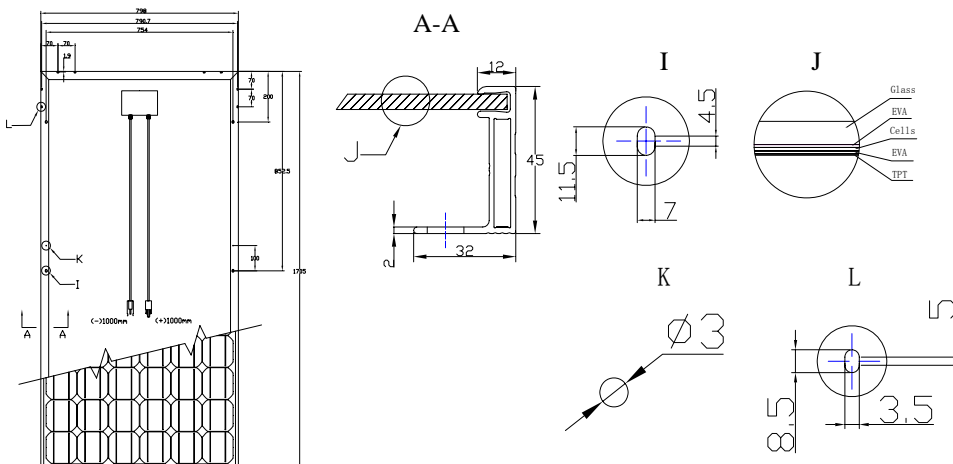
NOCT:Nominal Operation Cell Temperature

### Output

Type of output terminal	Junction box
Cable	4mm <sup>2</sup>
Cable lengths	1000mm
Connector	Plug type



### Mechanical Characteristics



### Characteristics Curve

